

LINDNER



**URRACO 95
MOBILE SHREDDING**

**THE MEASURE
OF ALL THINGS.**

ONLY LINDNER CLIENTS CAN TRULY SAY:

LEAVES EVERYTHING IN THE DUST.

TAKES MOBILE SHREDDING TO THE EXTREME: MAXIMUM OUTPUT, FULL MOBILITY.

Thanks to its extremely powerful engine, long shaft length and aggressive intake, the twin-shaft Urraco 95DK shredder makes short work of all materials. Extremely efficient and reliable with low wear and tear, this machine is easy to maintain and has a low rate of energy consumption per tonne of shredded material.



1. ROBUST TWIN-SHAFT CUTTING SYSTEM

Incredibly productive thanks to aggressive intake and the extra long shafts.

Maximum resistance with our welded crushers, rippers, scrapers and breaker bars.

Adapts perfectly to the material thanks to shaft pairs available in different designs.



2. POWERFUL DIESEL ENGINE

Efficient shredding with our 770 hp diesel engine from Scania.

Complies with all exhaust gas regulations thanks to our state-of-the-art SCR system.

Particularly long service life ensured by an ideal interaction between the engine and the hydraulics.



3. PROVEN MOBILE HYDRAULICS

High output thanks to the self-regulating hydrostatic double drive.

Effective shredding with a torque of up to 480,000 Nm and robust planetary gears.

Safe operation ensured by the instant detection of non-shreddables.



4. EASY-TO-USE CONTROL

Simple operation and parameter-setting thanks to the intuitive touchscreen user interface.

Convenient shredder operation from the wheel loader with our customisable remote control.

Easy manoeuvring of the shredder using the joystick remote control.



5. WELL-ENGINEERED FEED AND DISCHARGE SYSTEMS

Consistent output with our smart double tilting hopper system.

Low dust emissions due to the hydraulic height-adjustable conveyor belt, which can even be adjusted during operation.

Ferrous metal separation with optional integrated over-belt magnet.



6. ROBUST TRACKED CHASSIS

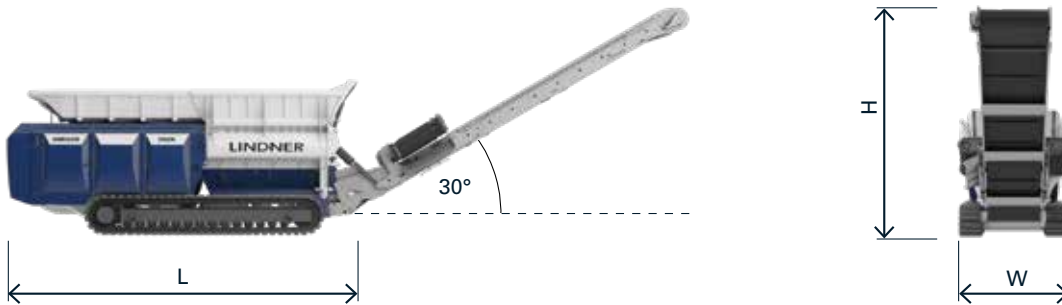
Independent manoeuvring of the machine thanks to hydraulic crawler tracks.

Secure hold and anchoring for maximum stability during operation.

Optional rubber pads available for gentle operation on tarmacked areas.



TECHNICAL DATA



URRACO 95DK

Diesel drive power	hp	770
Exhaust gas standard		- / USTier 4f
Chassis		tracked
Shaft length	mm	2 x 2500
Max. torque	Nm	480,000
Weight	t	42
Dimensions (LxWxH)	mm	9200 x 3000 x 3200
Discharge height, conveyor (30°)	mm	5500

*The stated values refer to standard machine versions with a standard hopper and raised feet. The right to make technical changes is reserved.

SHAFTS FINE

The fine-shredding specialist



Waste wood A1 – A2
Biomass
Green cuttings
Rootstocks
Paper rolls
Tar paper
Plastics
etc.

Output: 100-200 mm

SHAFTS ROUGH

The coarse-shredding specialist



Waste wood A1 – A4
MSW
Bulky commercial waste
Rootstocks
Railway sleepers
Metals
Light iron scrap
Light aluminium scrap
WEEE
etc.

Output: 300-500 mm



Magnetic separator of ferrous material



Water sprinkling system



Fire extinguishing system engine compartment



Extended wear protection

Lindner-Recyclingtech GmbH

Villacher Strasse 48 | 9800 Spittal/Drau | Austria

t.: +43 4762 2742 | f.: +43 4762 2742-9032 | office@lindner.com

www.lindner.com