

Crawler Tractors

PR 756

Litronic®

Generation

8

Operating Weight

35.4–43.0 tonnes / 39.0–47.4 tons

Engine Output

SAE J1349 ISO 9249
260 kW/349 HP 260 kW/353 HP
Tier 4f Stage V

Standard Blades

Semi-U Blade 8.92 m³ / 11.67 yd³
U Blade 11.8m³ / 15.43 yd³



LIEBHERR

Technical Data



Engine

Liebherr Diesel engine	D 946 A7 Emission regulations according to 97/68/EC, stage V, EPA/CARB Tier 4f
Rated power (net)	
ISO 9249	260 kW/353 HP
SAE J1349	260 kW/349 HP
Maximum power (net)	
ISO 9249	275 kW/374 HP
SAE J1349	275 kW/369 HP
Rated speed	1,600 rpm
Displacement	12 l/733 in ³
Design	6 cylinder in-line engine, water-cooled, turbocharged, air-to-air intercooler
Injection system	Direct fuel injection, Common Rail, electronic control
Lubrication	Pressurised lube system, engine lubrication guaranteed for inclinations up to 45°, on all sides
Operating voltage	24 V
Alternator	140 A
Starter	7.8 kW/11 HP
Batteries	4 x 95 Ah/12 V
Air cleaner	Dry type air filter with vacuum indicator and automatic dust ejector, main and safety element
Cooling system	Combi radiator, comprising radiators for water and charge air. Hydrostatic fan drive.



Hydraulics

Hydraulic system	Load sensing (demand-controlled)
Pump type	Swash plate piston pump
Pump flow, max.	256 l/min./67.6 gpm/56.3 Imp.gpm
Pressure limitation	260 bar/3,770 psi
Control valve	2 segments, expandable to 4
Filter system	Return filter with magnetic rod in the hydraulic tank
Control	Single joystick for all blade functions



Travel Drive

Transmission system	Infinitely variable hydrostatic travel drive, independent drive for each track
Travel speed*	Continuously variable
Speed range 1:	0 – 4.0 km/h/2.5 mph (forward & reverse)
Speed range 2:	0 – 6.0 km/h/3.7 mph (forward & reverse)
Speed range 3:	0 – 11.0 km/h/6.8 mph (forward & reverse)
	* Travel speed ranges can be set on the travel joystick (memory function)
Electronic system	The electronic system automatically adjusts travel speed and drawbar pull to match changing load conditions
Steering	Hydrostatic
Service brake	Hydrostatic (self-locking), wear-free
Parking brake	Multi-disc brake, wear-free, automatically applied with neutral joystick position
Cooling system	Separate oil cooler, hydraulic fan drive
Filter system	Micro cartridge filter in replenishing circuit
Final drive	Combination spur gear with planetary gear, double-sealed (duo cone seals) with temperature indicator
Control	Single proportional joystick for all travel and steering functions



Operator's Cab

Cab	Hydro-elastic mounted cab with positive pressure ventilation, can be tilted with hand pump 40° to the rear. With integrated ROPS Rollover Protective Structure (EN ISO 3471) and FOPS Falling Objects Protective Structure (EN ISO 3449)
Operator's seat Monitoring	Air suspended comfort seat, fully adjustable Touch screen: display of current machine information, automatic monitoring of operating conditions, individual setting of machine parameters

Undercarriage

	Standard	LGP
Design	Undercarriage with rigid bottom rollers or bogie suspension or oscillating idler	
Mounting	Via separate pivot shafts and equalizer bar	
Track chains	Lubricated, single grouser shoes, tensioning via steel spring and grease tensioner	
Links, each side	44	44
Track rollers, each side	7	7
Carrier rollers, each side	2	2
Sprocket segments, each side	5	5
Track shoes, standard	610 mm/24"	914 mm/3"
Track shoes, optional	560 mm/22", 711 mm/28"	965 mm/3'2"

Sound Levels

Operator sound exposure ISO 6396	
L _{pA} (in the cab)	75 dB(A)
Exterior sound pressure 2000/14/EC	
L _{WA} (to the environment)	113 dB(A)

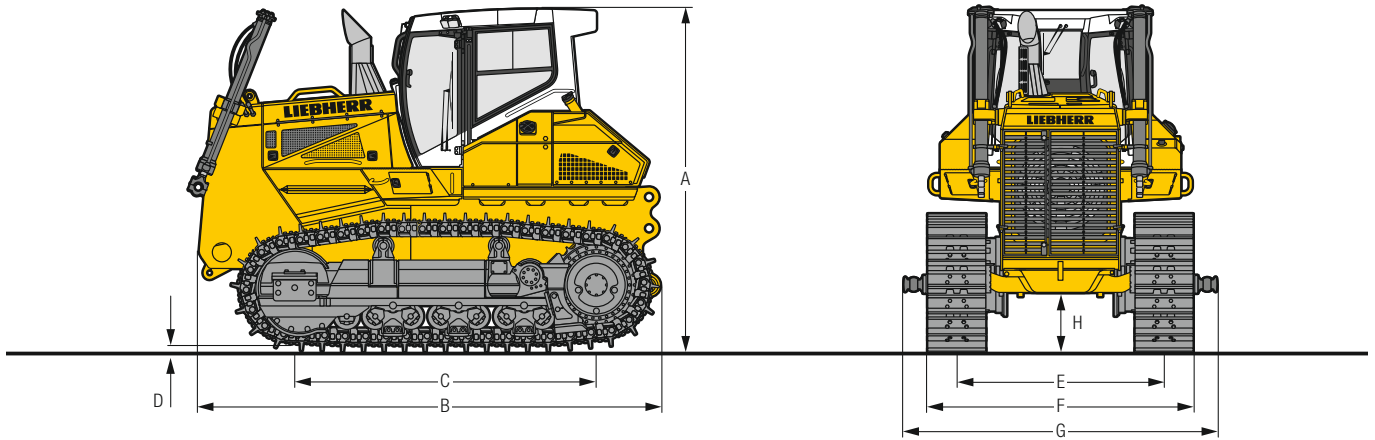
Refill Capacities

Cooling system	55 l/14.5 gal/12.1 Imp.gal
Diesel Exhaust Fluid (DEF) tank	80 l/21.1 gal/17.6 Imp.gal
Engine oil, with filters	43 l/11.4 gal/9.5 Imp.gal
Final drive LGP, each side	26 l/6.9 gal/5.7 Imp.gal
Final drive Standard, each side	20 l/5.3 gal/4.4 Imp.gal
Fuel tank	660 l/174.2 gal/145.2 Imp.gal
Hydraulic tank	129 l/34.1 gal/28.4 Imp.gal
Splitter box	8.5 l/2.2 gal/1.9 Imp.gal

Drawbar Pull

Max.	592 kN
at 1.5 km/h/0.9 mph	522 kN
at 3.0 km/h/1.9 mph	261 kN
at 6.0 km/h/3.7 mph	133 kN
at 9.0 km/h/5.6 mph	89 kN

Dimensions

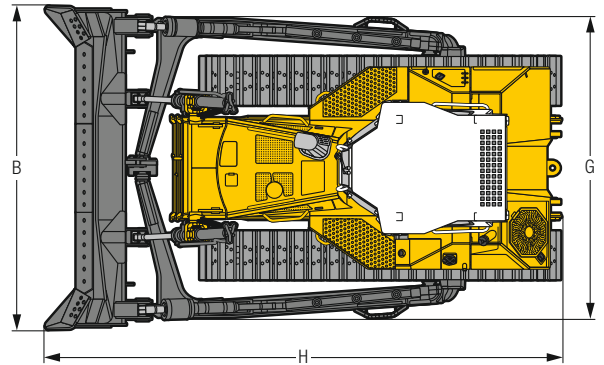
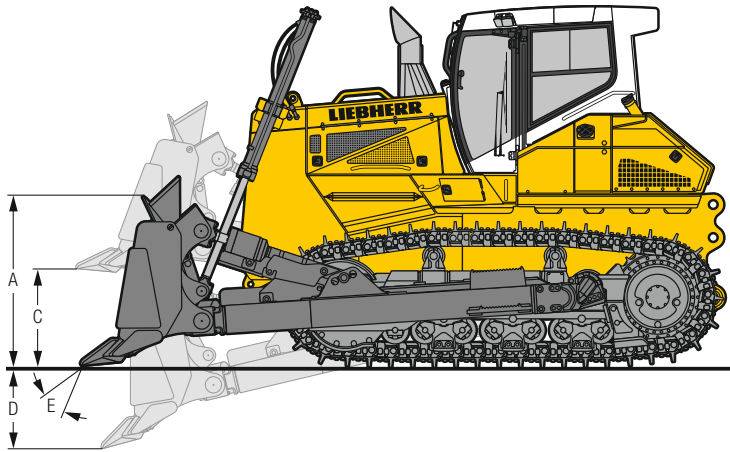


Dimensions

Undercarriage		Standard rigid bottom rollers	Standard bogie suspension	Standard oscillating idler double bogie suspension	LGP rigid bottom rollers	
A	Height over cab	mm ft in	3,610 11'10"	3,610 11'10"	3,610 11'10"	
B	Overall length without attachments	mm ft in	4,885 16'0"	4,885 16'0"	4,885 16'0"	
C	Length of track on ground	mm ft in	3,174 10'5"	3,249 10'8"	3,174 10'5"	
D	Height of grousers	mm in	83 3.27"	83 3.27"	83 0'3"	
H	Ground clearance	mm ft in	635 2'1"	644 2'1"	635 2'1"	
E	Track gauge	mm ft in	2,180 7'2"	2,180 7'2"	2,430 8'	
G	Width over trunnions	mm ft in	3,145 10'4"	3,145 10'4"	3,575 11'9"	
F	Track shoes 560 mm / 22"	mm / ft in kg / lb	2,740 / 9' 29,106 / 64,168	2,740 / 9' 30,033 / 66,211	2,740 / 9' 31,067 / 68,491	–
F	Track shoes 610 mm / 24"	mm / ft in kg / lb	2,790 / 9'2" 29,346 / 64,697	2,790 / 9'2" 30,273 / 66,740	2,790 / 9'2" 31,307 / 69,020	–
F	Track shoes 711 mm / 28"	mm / ft in kg / lb	2,891 / 9'6" 29,823 / 65,748	2,891 / 9'6" 30,750 / 67,792	2,891 / 9'6" 31,784 / 70,072	–
F	Track shoes 914 mm / 3"	mm / ft in kg / lb	–	–	–	3,344 / 11' 30,866 / 68,048
F	Track shoes 965 mm / 3'2"	mm / ft in kg / lb	–	–	–	3,395 / 11'2" 31,343 / 69,099

¹⁾ Including coolant and lubricants, 20% fuel, ROPS/FOPS cab.

Front Attachments



Semi-U Blade

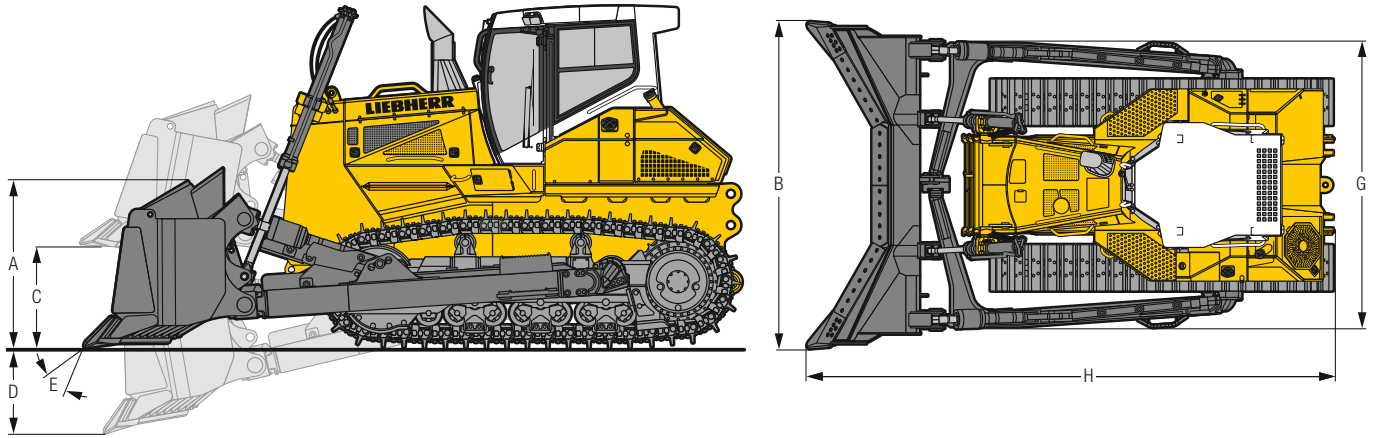
Undercarriage		Standard rigid bottom rollers	Standard bogie suspension	Standard oscillating idler double bogie suspension	LGP rigid bottom rollers
Blade capacity, ISO 9246	m ³ yd ³	8.92 11.67	8.92 11.67	8.92 11.67	9.46 12.37
A Height of blade	mm ft in	1,650 5'5"	1,650 5'5"	1,650 5'5"	1,600 5'3"
B Width of blade	mm ft in	4,044 13'3"	4,044 13'3"	4,044 13'3"	4,465 14'8"
C Lifting height³⁾	mm ft in	1,372 4'6"	1,381 4'6"	1,381 4'6"	1,403 4'7"
D Digging depth³⁾	mm ft in	570 1'10"	561 1'10"	563 1'10"	563 1'10"
E Blade pitch adjustment		10°	10°	10°	2)
Max. blade tilt	mm ft in	993 3'3"	993 3'3"	993 3'3"	481 1'7"
G Width over push frame	mm ft in	3,767 12'4"	3,767 12'4"	3,767 12'5"	4,193 13'9"
H Overall length	mm ft in	6,449 21'2"	6,449 21'2"	6,449 21'2"	6,452 21'2"
Track shoes 560 mm / 22"					
Operating weight ¹⁾	kg / lb	35,388 / 78,017	36,315 / 80,061	37,349 / 81,679	–
Ground pressure ¹⁾	kg/cm ² / psi	0.99 / 14.08	1.02 / 14.36	1.05 / 14.5	–
Track shoes 610 mm / 24"					
Operating weight ¹⁾	kg / lb	35,628 / 78,546	36,555 / 79,928	37,589 / 78,385	–
Ground pressure ¹⁾	kg/cm ² / psi	0.92 / 13.08	0.94 / 13.37	0.97 / 13.37	–
Track shoes 711 mm / 28"					
Operating weight ¹⁾	kg / lb	36,105 / 79,598	37,032 / 80,980	38,066 / 81,641	–
Ground pressure ¹⁾	kg/cm ² / psi	0.80 / 11.38	0.82 / 11.52	0.84 / 11.66	–
Track shoes 914 mm / 3"					
Operating weight ¹⁾	kg / lb	–	–	–	37,170 / 81,946
Ground pressure ¹⁾	kg/cm ² / psi	–	–	–	0.64 / 9.1
Track shoes 965 mm / 3'2"					
Operating weight ¹⁾	kg / lb	–	–	–	37,410 / 82,475
Ground pressure ¹⁾	kg/cm ² / psi	–	–	–	0.61 / 8.67

¹⁾ Including coolant and lubricants, 100% fuel, ROPS/FOPS cab, semi-U blade, operator.

²⁾ Mechanical blade pitch adjustment.

³⁾ The indicated dimensions include the height of the grouser shoe.

Front Attachments



U-Blade

Undercarriage		Standard rigid bottom rollers	Standard bogie suspension	Standard oscillating idler double bogie suspension
Blade capacity, ISO 9246	m ³ yd ³	11.8 15.43		11.8 15.43
A Height of blade	mm ft in	1,700 5'7"		1,700 5'7"
B Width of blade	mm ft in	4,281 14'1"		4,281 14'1"
C Lifting height²⁾	mm ft in	1,361 4'6"		1,370 4'6"
D Digging depth²⁾	mm ft in	565 1'10"		556 1'10"
E Blade pitch adjustment		10°		10°
Max. blade tilt	mm ft in	1,052 3'5"		1,052 3'5"
G Width over push frame	mm ft in	3,767 12'4"		3,767 12'4"
H Overall length	mm ft in	6,872 22'7"		6,872 22'7"
Track shoes 560 mm / 22"				
Operating weight ¹⁾	kg / lb	35,358 / 77,951	36,285 / 79,995	37,319 / 82,274
Ground pressure ¹⁾	kg/cm ² / psi	0.99 / 14.08	1.02 / 14.5	1.05 / 14.93
Track shoes 610 mm / 24"				
Operating weight ¹⁾	kg / lb	35,598 / 78,480	36,525 / 80,524	37,559 / 82,803
Ground pressure ¹⁾	kg/cm ² / psi	0.92 / 13.08	0.94 / 13.37	0.97 / 13.79
Track shoes 711 mm / 28"				
Operating weight ¹⁾	kg / lb	36,075 / 79,532	37,002 / 81,575	38,036 / 83,855
Ground pressure ¹⁾	kg/cm ² / psi	0.80 / 11.38	0.82 / 11.66	0.84 / 11.94

¹⁾ Including coolant and lubricants, 100% fuel, ROPS/FOPS cab, U-Blade, operator.

²⁾ The indicated dimensions include the height of the grouser shoe.

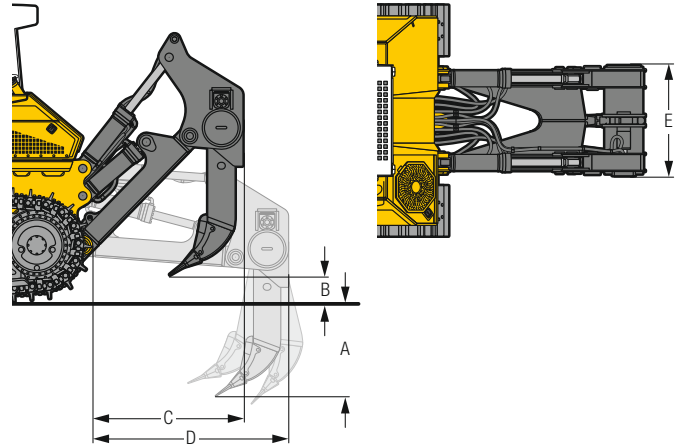
Rear Attachments



1-Shank Ripper

Parallelogram		hydraulic pitch adjustment	
A	Ripping depth (max. / min.)	mm ft in	1,203 / 423 3'11" / 1'5"
B	Lifting height (max. / min.)	mm ft in	1,040 / 260 3'5" / 0'10"
C	Additional length, attachment raised	mm ft in	1,820 6'
D	Additional length, attachment lowered	mm ft in	2,373 7'9"
E	Overall beam width	mm ft in	1,370 4'6"
F	Distance between shanks	mm ft in	-
	Max. pitch adjustment		31°
	Max. penetration force	kN lbf	123.9 27,854
	Max. pryout force	kN lbf	208.8 46,940
	Weight	kg lb	3,638 8,020

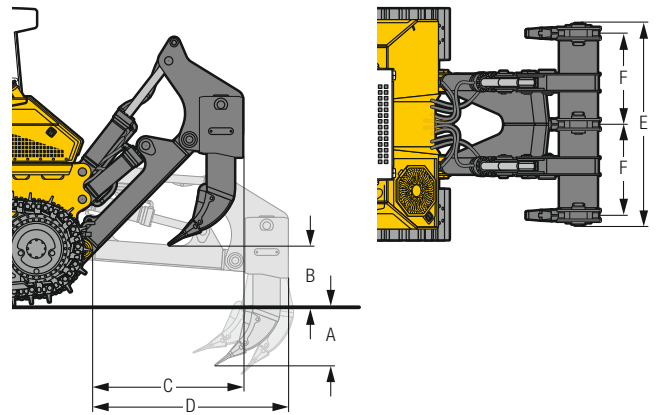
The indicated dimensions include the height of the grouser shoe.



3-Shank Ripper

Parallelogram		hydraulic pitch adjustment	
A	Ripping depth (max. / min.)	mm ft in	796 / 481 2'7" / 1'7"
B	Lifting height (max. / min.)	mm ft in	982 / 667 3'3" / 2'2"
C	Additional length, attachment raised	mm ft in	1,820 6'
D	Additional length, attachment lowered	mm ft in	2,373 7'9"
E	Overall beam width	mm ft in	2,434 8'
F	Distance between shanks	mm ft in	1,100 3'7"
	Max. pitch adjustment		31°
	Max. penetration force	kN lbf	131.8 29,630
	Max. pryout force	kN lbf	208.8 46,940
	Weight	kg lb	4,821 10,628

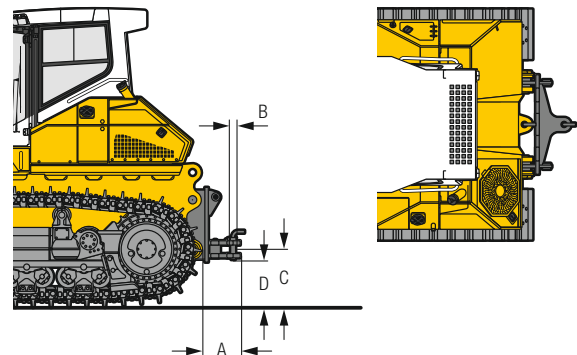
The indicated dimensions include the height of the grouser shoe.



Drawbar

		rigid	
A	Additional length	mm ft in	463 1'6"
B	Socket pin diameter	mm ft in	60 2.36"
C	Height of jaw	mm ft in	629 2'1"
D	Ground clearance	mm ft in	506 1'8"
	Jaw opening	mm ft in	105 4.13"
	Weight	kg lb	576 1,270

The indicated dimensions include the height of the grouser shoe.



Equipment



Base Machine

Additional handle on treadplate	•
Air filter with automatic dust ejector	+
Air filter, dry type, dual step, with pre-filter	•
Air pre-cleaner Sy-Klone	+
Air pre-cleaner Top Air	+
Auto Idle	+
Automatic blade stabilization + inclination control	•
Automatic engine shut-off	+
Battery compartment, lockable	•
Coal arrangement	+
Cold environment arrangement	+
Cooling fan front, hinged	+
Cooling fan, hydraulically driven	•
Cooling fan, reversible	+
DEF tank lockable	•
Engine compartment doors, lockable	•
Engine compartment lighting	•
Forestry arrangement	+
Fuel pre-filter with water separator	•
Fuel pre-filter with water separator heatable	+
Grade control ready kit	1)
LiDAT – Data transmission system	•
Liebherr diesel engine emission stage V/Tier 4f	•
Liebherr hydraulic oil, biologically degradable	+
Radiator, hinged	•
Radiator, wide-meshed	•
Refuelling pump, electric	+
Roof mounted grading system	+
Spade with mounting bracket	+
Special paint scheme	+
Tool kit, basic	•
Tool kit, extended	+
Towing hitch rear	•
Towing lug front	•
Towing lug rear	+
Wastehandling arrangement	+
Woodchip arrangement	1)



Travel Drive

Emergency stop	•
Final drives planetary gear	•
Inching brake pedal	•
Load limit control, electronic	•
Machine-release switch	•
Parking brake, automatic	•
Seat contact switch	•
Travel control, 3 speed ranges	•
Travel drive joystick, detented	+
Travel drive joystick, proportional	•
Travel drive, hydrostatic	•



Operator's Cab

Access and exit step lighting	•
Armrests 3D adjustable	•
Automatic climate control	•
Coat hook	•
Dome light LED	•
Dust filter system pressurised	+
Fire extinguisher	+
Footrest on the right side of the front console	+
Joysticks, longitudinally adjustable	•
Noise-absorbing cab mounts	•
Operator's seat Comfort, air-suspended with seat heating	•
Operator's seat Premium, air-suspended with seat heating and cooling	+
Pressurised cab	•
Protective grid for rear window	+
Radio	+
Radio preparation kit	+
Rear-view camera	+
Rear-view mirror, inside	•
Rear-view mirrors, outside	+
ROPS/FOPS integrated	•
Safety glass	•
Sliding window left	+
Sliding window right	+
Socket 12 V + 24 V	•
Storage nets	+
Stowage compartment, air-conditioned	•
Sun visor, front	+
Tilttable cab	•
Touch-controlled colour display	•
Windshield washer system	•
Windshield wipers front, rear, doors, with intermittent function	•



Hydraulics System

Automatic lifting of the ripper into the parking position	•
Blade float function	•
Blade quick drop function	•
Blade shake feature	•
Control block for 2 circuits	•
Electronic control of working hydraulics	•
Hydraulic kit for ripper	+
Hydraulic kit for winch	+
Hydraulic pitch angle adjustment	+
Oil filter in hydraulic tank	•
Variable flow pump, load-sensing	•

• = Standard

+ = Option

1) on demand at your dealer

Equipment



Electric System

1 additional working light on each lift cylinder	+
1 additional working light on ripper	+
1 working light on each lift cylinder	•
2 additional working light on the cab, rear	+
2 batteries cold start	•
2 working lights on the cab, rear	•
4 working light on the cab, front	•
All working lights in LED version	+
Amber beacon	+
Back-up alarm with broadband signal	+
Back-up alarm with broadband signal and visual	+
Back-up alarm, acoustic	+
Back-up alarm, acoustic and visual	+
Battery main switch	•
Battery main switch, lockable	+
Horn	•
Immobiliser, electronic	+
On-board voltage 24 V	•



Undercarriage

Master link, two-piece	•
Sprocket segments with recesses	+
Sprocket segments, bolted	•
Track frame, closed	•
Track guard, full length	+
Track guide centre part	+
Track guide, front and rear	•
Track pads with mud holes ²⁾	+
Track shoes, heavy duty	•
Tracks, oil-lubricated	•
Undercarriage LGP	+
Undercarriage standard	+
Undercarriage with bogie suspension	+
Undercarriage with double bogie suspension and oscillating idlers	+
Undercarriage with rigid bottom rollers	•



Front Attachments

Mechanical angle blade	+
Semi-U blade	+
Spill plate	+
Trash rack	+
U blade	+
Wear plates on push frame	+
Wear plates on semi-U blade	+



Rear Attachments

Counterweight, rear (4,000 kg/8,818 lb)	+
Drawbar rear, rigid	+
Mounting plate for third-party equipment	+
Ripper, 1 shank with pin puller	+
Ripper, 3 shank	+
Winch	+

• = Standard

+ = Option

²⁾ available track shoes on demand at your dealer

Options and/or special attachments, supplied by vendors other than Liebherr, are only to be installed with the knowledge and approval of Liebherr in order to retain warranty.

The Liebherr Group of Companies



Diverse Product Range

The Liebherr Group is one of the largest construction equipment manufacturers in the world. Liebherr's quality products and services hold a high reputation in many industries. The wide range includes domestic appliances, aerospace and transportation systems, machine tools and maritime cranes.

Exceptional Customer Benefit

Every product line provides a complete range of models in many different versions. With both their technical excellence and superior quality, Liebherr products offer customers the highest benefits in practical applications.

State-of-the-art Technology

Liebherr attributes great importance to the product areas of core technology and components, in order to achieve its consistent, top-quality products. Important modules and components are developed and manufactured in-house, for instance, the entire drive and control technology for the construction equipment and mining trucks.

Worldwide and Family-Owned

Hans Liebherr founded the Liebherr family company in 1949. Since that time, the enterprise has steadily grown to a group of more than 130 companies with more than 46,000 employees located on all continents. The corporate headquarters of the Group is Liebherr-International AG in Bulle, Switzerland. The Liebherr family is the sole owner of the company.

www.liebherr.us

Liebherr-Werk Telfs GmbH

Hans Liebherr-Straße 35, A-6410 Telfs
☎ +43 50809 6-100, Fax +43 50809 6-7772
www.liebherr.com, E-Mail: lwt.marketing@liebherr.com
www.facebook.com/LiebherrConstruction