

Complete verge maintenance starts with the Herder Musketier



MUSKETIER



Expand your horizons with the Herder Musketier

Herder developed the Musketier specifically for verge maintenance. It is a powerful and manoeuvrable machine which is suitable for smaller tractors. Similar to the larger Herder models, the mowing arm is mounted on the side of the tractor and this provides great benefits. A cost-effective machine that always guarantees the best mowing result and ensures that the operator can work ergonomically thanks to its standard Nivotronic system. With the Herder Musketier you can push your boundaries too.



Mowing slopes: the Musketier can tackle any angle.



The best mowing result in the verge.

Smart operation makes work simple



The joystick and the control box are placed in an ergonomic position.

Working with the Musketier feels natural and logical. You operate all the functions from the tractor load-sensing pump with a single joystick. If you select the model with sliding boom, its operation is also fully integrated. You can switch the Nivotronic control between the lifting function and the sliding function as desired.



Herder always opts for the most ergonomic pose for the operator in every tractor.



The joystick ensures accurate operation of the booms. Nivotronic is taking care of the adaption to the surface during work.

Maximum result with minimum effort



Stabilisation cylinder for sprung front axle increases stability.



Pivot 'rotating cylinder' for narrow mounting.



Special tank frame for the hydraulic tank keeps the top tow bar accessible for a trailer.



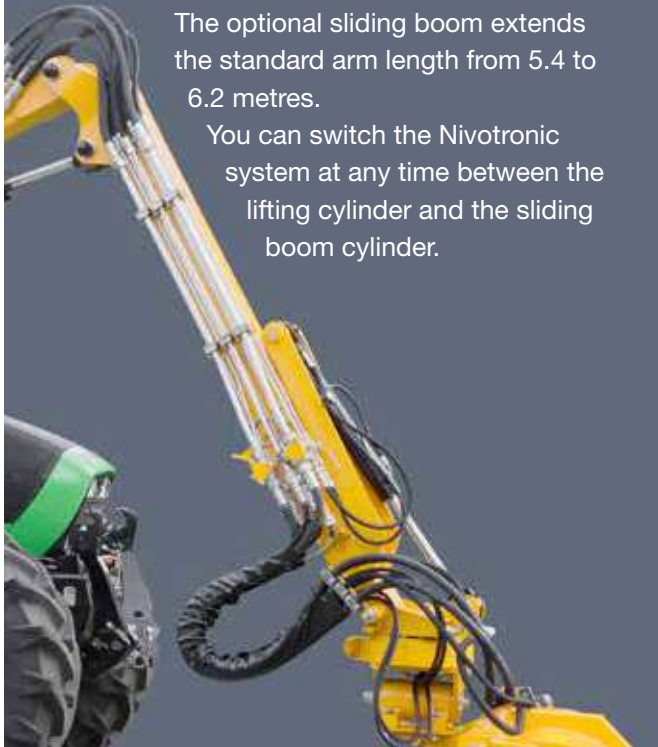
The Musketier comes as standard with a flail mower which produces a good mowing result. But this mower also allows the operator to perform to the full with minimum effort. The flail mower has Nivotronic as standard. This revolutionary system changes the flail mower into a self-steering mower. Various sensors in a well thought-out construction follow the course of the ground so that the machine corrects itself. Nivotronic also has several functions to support the operator, such as a control that keeps the mower parallel when the boom pivots. This control also limits damage to trees and fixed roadside objects.

Rotating head with hydraulic worm wheel 180° and hydraulic rod of 2 x60° by means of a rotating cylinder. This allows you to put the mower in almost every possible angle or working position.

Expand your possibilities

The optional sliding boom extends the standard arm length from 5.4 to 6.2 metres.

You can switch the Nivotronic system at any time between the lifting cylinder and the sliding boom cylinder.



Details - Nivotronic system

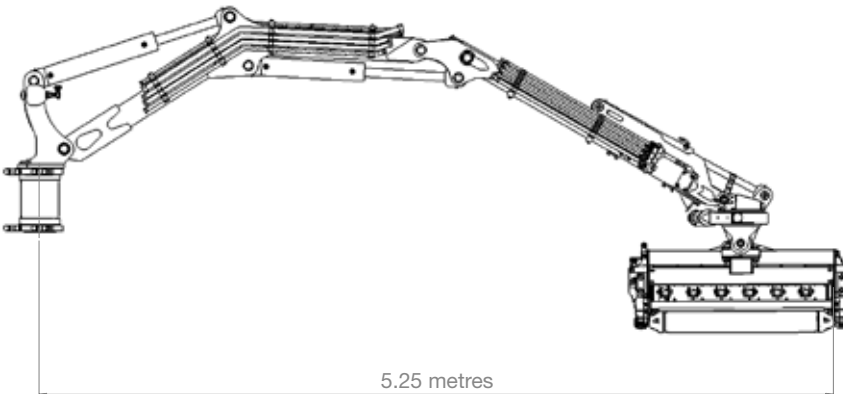


The flail mower comes as standard with 'Y' flails and can be fitted with '40x12' flails if desired.



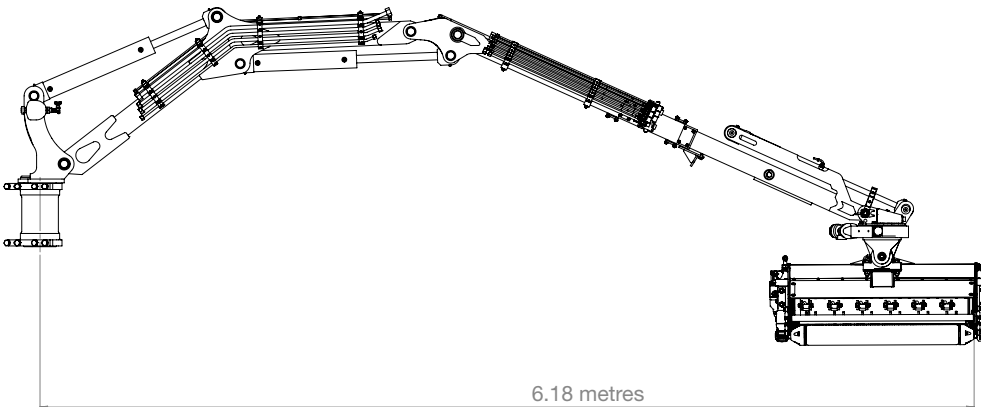
TECHNICAL SPECIFICATIONS

Required tractor power	Minimum 75 kW at 750 rpm of PTO
Required PTO speed	750 rpm
Pump for flail mower	60 L/min. max 350 Bar
Rotor speed	2000 rpm
Required oil for LS pump tractor (<i>boom operation</i>)	60 L/min. at 200 Bar
Working radius, measured from pivot (<i>standard</i>)	5.4 metres max
Working radius, measured from pivot (<i>optional sliding boom</i>)	6.18 metres max
Weight of machine (<i>including flail mower and mounting frame</i>)	approx. 2600 kg (<i>actual weight can vary depending on type of tractor and selected options [sliding boom]</i>)



Working radius with retracted sliding boom.*

Working range of Musketier
 Boom 1: Standard
 Boom 2: Standard slide (1 m)
 Mowing width of mower: 1.2 m



Working radius with extended sliding boom.*

* Measured from centre of rotating cylinder to outer edge of flail mower.



You will achieve more with Herder



MUSK-ENG-05

www.herder.nl