

LINDNER



MIURA 1500  
MOBILE SHREDDING

**TAKES  
EVERYTHING ON.**

ONLY LINDNER CLIENTS CAN TRULY SAY:

# GETS ME WHERE I NEED TO GO.

**GIVES YOU MAXIMUM FLEXIBILITY:  
LIGHTNING FAST ADAPTATION TO  
DIFFERENT MATERIALS, MAXIMUM  
MANOEUVRABILITY.**

With our innovative FX fast exchange system, the Miura twin-shaft shredder is ready for any task in no time. The machine comes with a 3-axle trailer, making it swift and easy to move between different sites. Go places with this mobile shredding technology.



#### 1. ROBUST TWIN-SHAFT CUTTING SYSTEM

**Incredibly productive** thanks to an aggressive intake and a combined crushing and cutting action.  
**Maximum resistance** with our fully welded crushers, rippers and scrapers.  
**Adapts perfectly to the material** thanks to shaft pairs available in different designs.



#### 2. POWERFUL DIESEL ENGINE

**Efficient and economical** thanks to our 350 hp diesel engine from Scania.  
**Complies with all exhaust gas regulations** thanks to our state-of-the-art SCR system.  
**Particularly long service life** ensured by an ideal interaction between the engine and the hydraulics.



#### 3. INNOVATIVE MOBILE HYDRAULICS

**Ultra efficient** thanks to self-regulating load-dependent power output.  
**Effective shredding** even of difficult materials with a torque of up to 240,000 Nm.  
**Safe operation** ensured by the instant detection of non-shreddables.



#### 4. EASY-TO-USE CONTROL

**Intuitive operation and parameter-setting** thanks to the customised user interface.  
**Easy reading of all relevant information** with our high-contrast 8" display.  
**Convenient management of all operating and maintenance functions** via remote control.



#### 5. FX FAST EXCHANGE SYSTEM

**Quick adaptation to different materials** ensured by a shaft change within 20 min.  
**Easy removal of non-shreddables** thanks to the side walls that open out on hydraulic hinges.  
**Ideal maintenance access** guaranteed with our cutting chamber that opens on both sides.

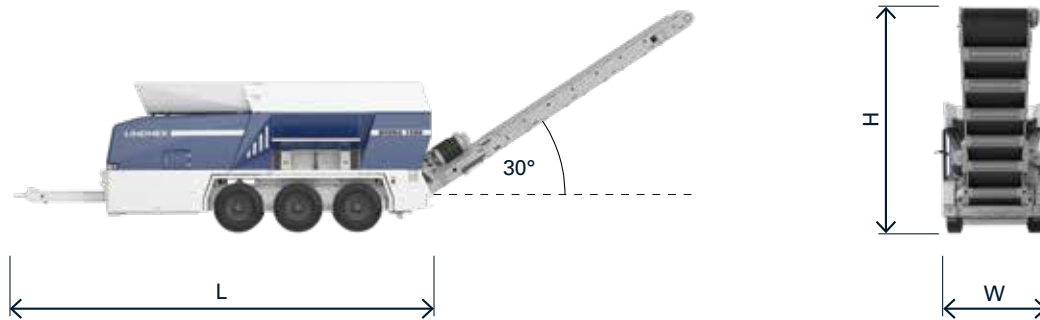


#### 6. 3-AXLE TRAILER

**Easy machine transport** thanks to our approval for use on public roads.  
**Ensures maximum flexibility** with our optional shaft set that can be transported on the truck.  
**Easy manoeuvring of the shredder** due to the drawbar, which is height and length adjustable.



# TECHNICAL DATA



<b>MIURA 1500</b>		
Diesel drive power	hp	350
Exhaust gas standard		EU Stage IV (USTief 4f)
Chassis		3-axle trailer
Shaft length	mm	2 x 1500
Max. torque	Nm	240,000
Weight	t	24
Dimensions (LxWxH)	mm	9322 x 2521 x 3274
Discharge height, conveyor (30°)	mm	4600

\*The stated values refer to standard machine versions with a standard hopper and raised feet. The right to make technical changes is reserved.

## SHAFTS FINE

*The fine-shredding specialist*



**Output: 100-200 mm**

Waste wood A1 – A2  
Biomass  
Green cuttings  
Rootstocks  
Paper rolls  
Tar paper  
Plastics  
etc.

## SHAFTS ROUGH

*The coarse-shredding specialist*



**Output: 300-500 mm**

Waste wood A1 – A4  
MSW  
Bulky commercial waste  
Rootstocks  
Railway sleepers  
Metals  
Light iron scrap  
Light aluminium scrap  
WEEE  
etc.



Magnetic separator of ferrous material



Water sprinkling system



Fire extinguishing system with spark detection



Extended wear protection

## Lindner-Recyclingtech GmbH

Villacher Strasse 48 | 9800 Spittal/Drau | Austria  
t.: +43 4762 2742 | f.: +43 4762 2742-9032 | office@lindner.com

[www.lindner.com](http://www.lindner.com)