

# A custom-built Cavalier



The Cavalier can be equipped optionally with long booms and rearward-facing transport position for better view during transport (MBK420A, MKB420V or MKB420D).

The Cavalier is available with different types of slewing system and four different swivel angles.



Slewing unit Cavalier MBK411/420A/420V



Slewing unit Cavalier MBK420D



An example of a special version of the Cavalier. The pumps are connected to the front PTO and the hydraulic tank is placed above the left front wheel. In this model, the back lifting device and PTO remain available, for example for a side flail mower.



For countries where you drive on the left, the Cavalier can also be mounted on the left-hand side of the tractor.



# TECHNICAL SPECIFICATIONS CAVALIER MBK411/420ADV

## Pump capacity at 1000 rpm PTO

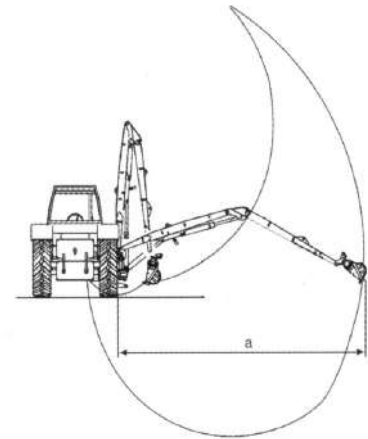
• Tools 150 bar	0-60 l (adjustable)
• Tools 330 bar	90 l
• Float position	14 l
• Control valve	60 l
• Minimum tractor power	60 kW
• Minimum tractor weight	4500 kg
• Oil cooler	9,5 kW
• Tank volume – hydraulic oil	150 l
• HERDER quick connect for work tool	Optional
• Lifting capacity with standard boom length	approx. 650 kg

## CAVALIER BOOM COMBINATIONS

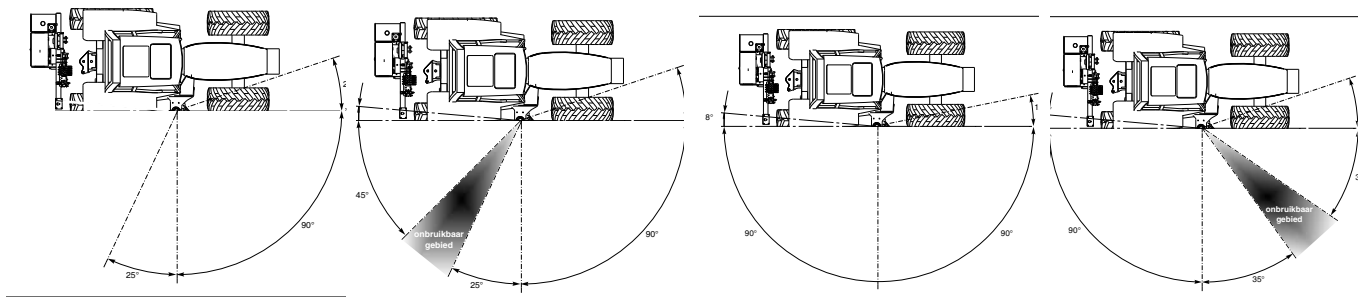
Boom combination	Lifting cylinder	Bucket cylinder	Size a
1+2	90 mm	80 mm	5.50 m
1L+2L	100 mm	80 mm	6.55 m
1L+2LS	110 mm	90 mm	7.30 m

a) Working radius with mowing bucket from the pivot.

\* Dimensions depend on tractor type and work tools



## CAVALIER SWIVLE RANGE



CAVALIER MBK411

CAVALIER MBK420A

CAVALIER MBK420D

CAVALIER MBK420V



You will achieve more with Herder



CAV-EN-05

[www.herder.nl](http://www.herder.nl)



# Achieve top performance with the Herder Cavalier



## CAVALIER





# Work wherever you want with the Herder Cavalier

With the Cavalier from Herder you take on a compact all-rounder. A reliable and sturdy tool carrier you can depend on under all conditions. The Cavalier's compact dimensions make it very versatile in use. No fewer than 15 different work tools are available for the Cavalier. Maintaining ditches, verges and vegetation is no problem at all with this Herder machine. The mowing arm can be installed on the left or right side of the Cavalier. The standard mowing arm lengths are 5.50 and 7.35 metres. You can also equip the Cavalier with extra long booms. The option of rearward-facing transport position gives you better view when you drive the Cavalier. The mowing arm does not obstruct the view of the driver when on the road. Let us tell you about the possibilities.





# Maximum performance, accurate to within a millimetre

It is quite an experience to work with the Cavalier. The operator can count on an ergonomic workplace because he can concentrate totally on the work at hand. An extra advantage is the optimal view under all conditions. The joystick provides for extremely accurate operation of the booms, making it possible to work quickly and accurately.

The machine can be equipped with extra hinge points in the boom in order to satisfy road traffic legislation when using longer boom lengths. When the mowing arm is in the transport position, it meets the legal requirements.

## Applications



*Cavalier with mowing bucket.*



*Cavalier with boom.*



*Cavalier with ecomower (KMU).*



*Cavalier with ecomower (KMU).*



# Efficient work starts with ergonomic operation

It is a pleasure to work with the Cavalier. Its operation is simple. Both the joystick and the control box are easily accessible and close at hand. The joystick has been programmed with a logical order of operation, making it easy for you to work. The arrangement of the control box is also logical, so it is clear and user-friendly.



# Simple and effective equipment is standard



Front axle stabilisation is no luxury, but a real necessity.  
On the left a fixed front axle and on the right a suspended front axle.



Simple but functional hydraulic unit carried in the 3-point linkage of the tractor, combined with a transport support on the back.



Work tool carrier on the front of the mounting frame.  
The boom rests on it in the transport position (MBK411).



Counter weight for extra stability.

